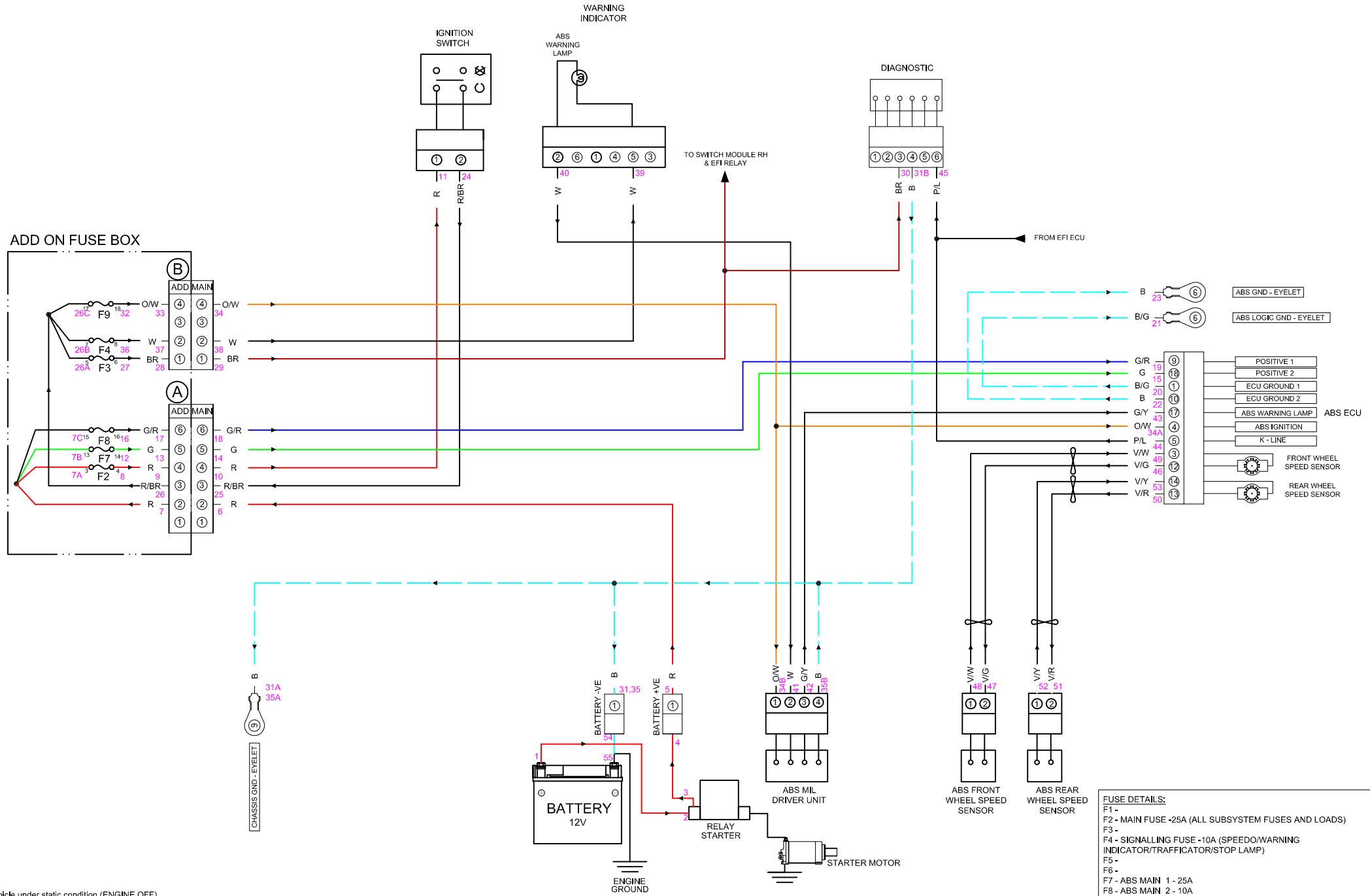
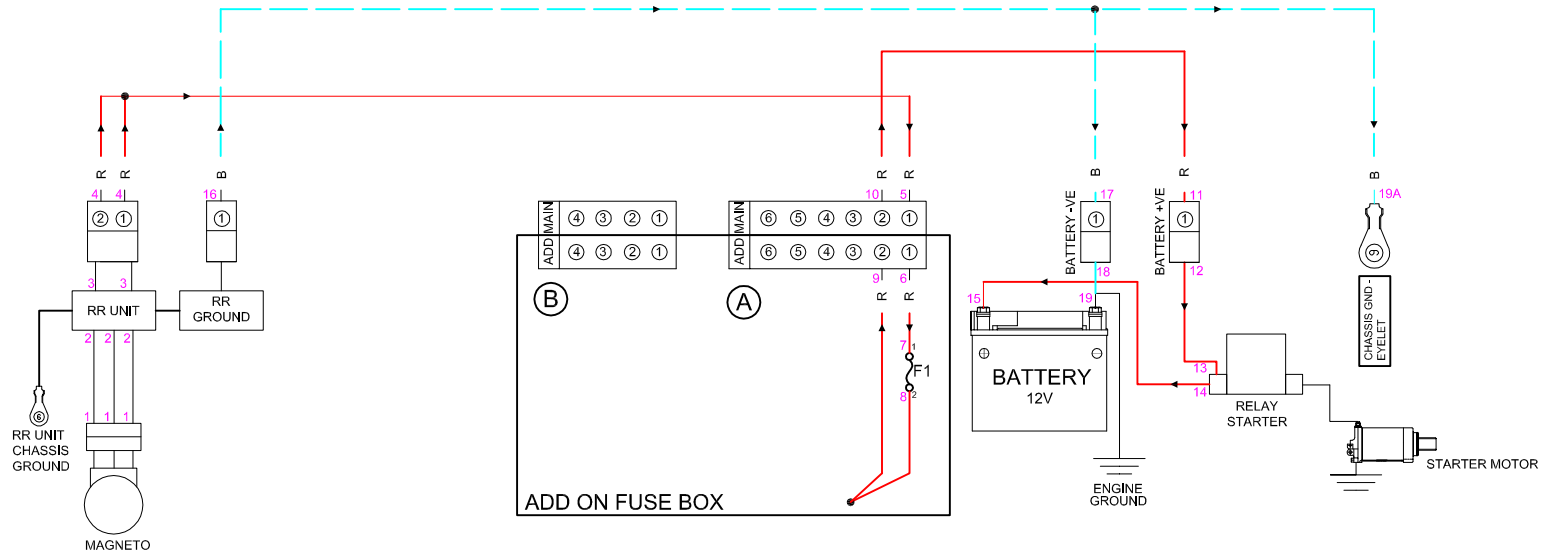


C5 EURO IV WIRING HARNESS - ABS SYSTEM



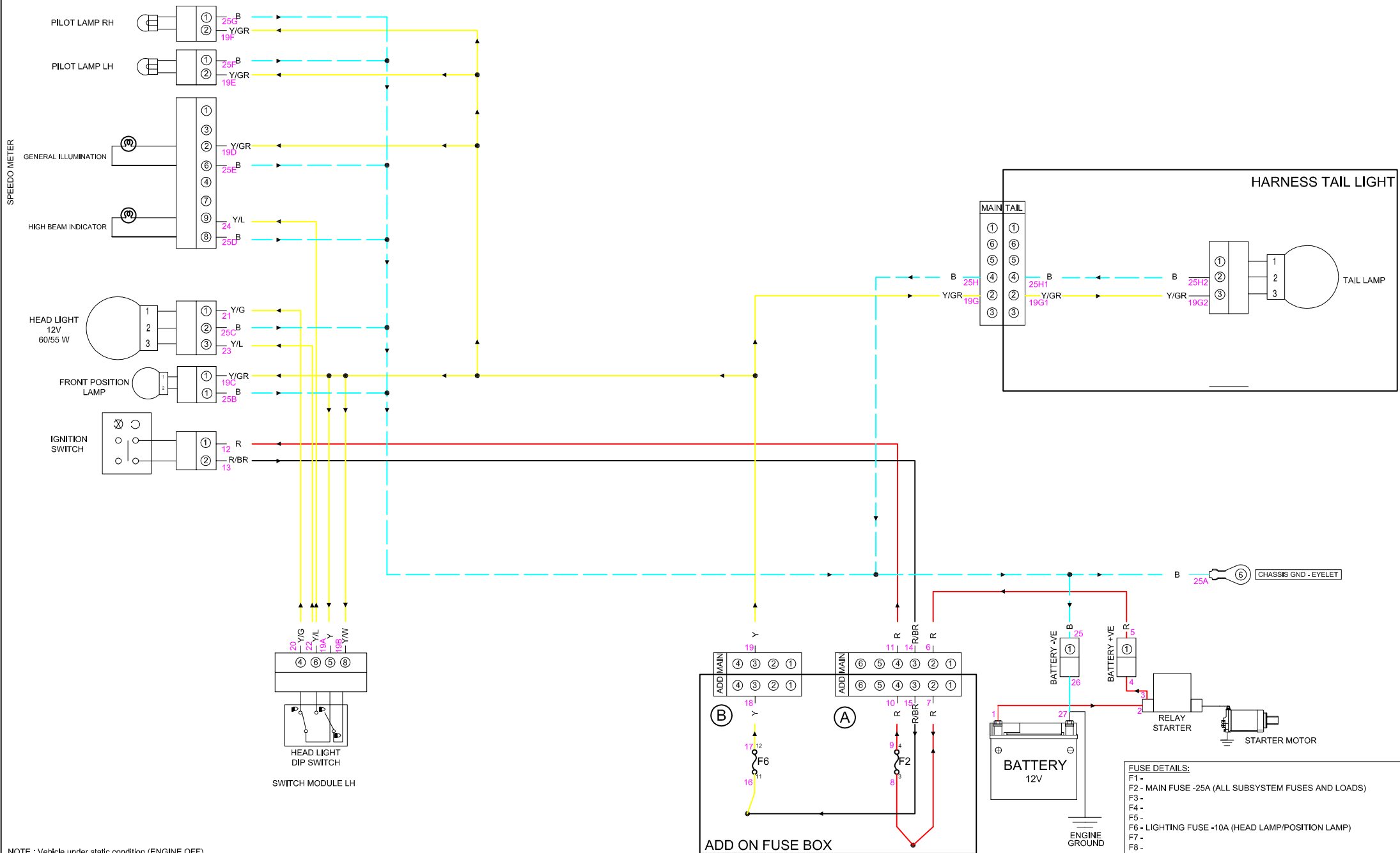
NOTE : Vehicle under static condition (ENGINE OFF)

C5 EURO IV WIRING HARNESS – CHARGING SYSTEM



FUSE DETAILS:
 F1 - CHARGING FUSE-25A (RR UNIT)
 F2 -
 F3 -
 F4 -
 F5 -
 F6 -
 F7 -
 F8 -
 F9 -

C5 EURO IV WIRING HARNESS - LIGHTING SYSTEM

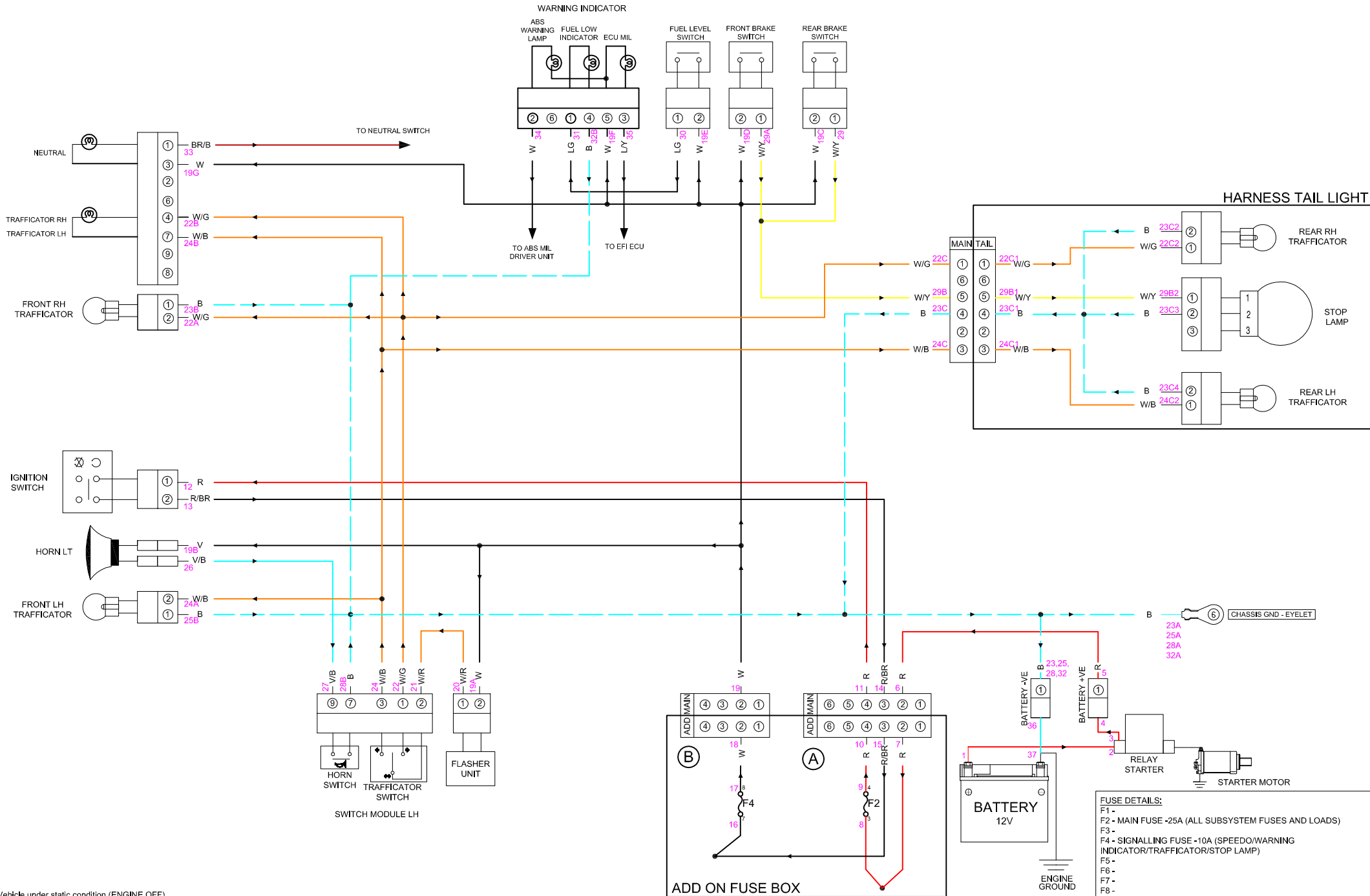


NOTE : Vehicle under static condition (ENGINE OFF)

FUSE DETAILS:

- F1 -
- F2 - MAIN FUSE -25A (ALL SUBSYSTEM FUSES AND LOADS)
- F3 -
- F4 -
- F5 -
- F6 - LIGHTING FUSE -10A (HEAD LAMP/POSITION LAMP)
- F7 -
- F8 -
- F9 -

C5 EURO IV WIRING HARNESS - SIGNALLING SYSTEM



SPEEDO METER

NOTE : Vehicle under static condition (ENGINE OFF)

C5 EURO IV WIRING HARNESS - STARTING & IGNITION (EFI) SYSTEM

